

PRORIL

60Hz

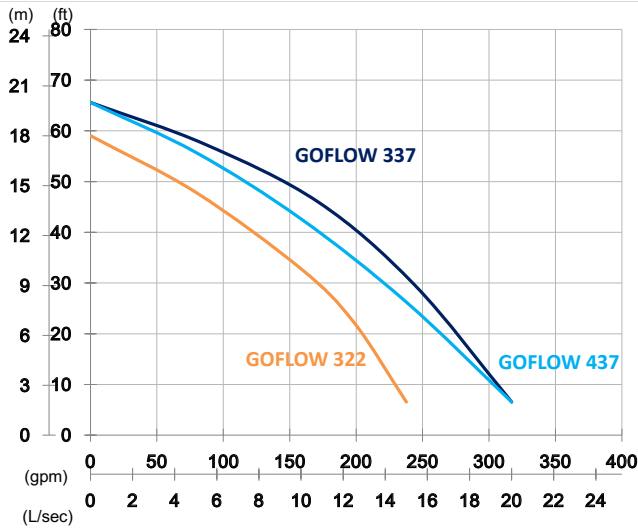
GOFLOW Series, these non-clog pumps can handle solids up to 37 mm in diameter without clogging. These pumps are equipped with a semi-open channel impeller, a wide channel for the pump to pass solids from inflow to discharge with minimal blockage.

Sewage Pump

GOFLOW 322/337/437

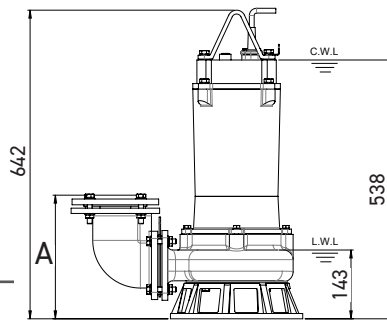
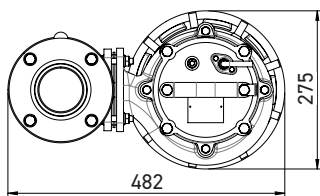
Non-clog Pump





	GOFLOW 322	GOFLOW 337	GOFLOW 437
OUTPUT	3 HP (2.2 kW)	5 HP (3.7 kW)	5 HP (3.7 kW)
OUTLET	3" (80 mm)	3" (80 mm)	4" (100 mm)
SOLID PASSAGE	1.1" (27 mm)	1.5" (37 mm)	1.5" (37 mm)
Weight	121 lbs/55 kg	132 lbs/60 kg	132 lbs/60 kg
HEAD	Rated: 33 ft, 10 m Max: 59 ft, 18 m	Rated: 46 ft, 14 m Max: 66 ft, 20 m	Rated: 43 ft, 13 m Max: 66 ft, 20 m
FLOW	Rated: 159 gpm, 10 L/s Max: 238 gpm, 15 L/s	Rated: 172 gpm, 10.8 L/s Max: 317 gpm, 20 L/s	Rated: 159 gpm, 10 L/s Max: 317 gpm, 20 L/s

Pump Type	Electric Submersible Pumps	
Motor	Phase	3-Phase
	Type	Induction Motor
	Poles	2 Pole (3450 rpm)
	Insulation	Class F
	Protector	Circle Thermal Protector
	Starter	D.O.L.
Lubricant	Food Grade (ISO VG32)	
Specs.	Impeller Type	Semi-Open Channel
	Shaft Seal	Double Mechanical Seal
		Silicon Carbide VS Ceramic/Carbon
	Bearings	C3 Shielded ball bearings
Cable	CSA-Certified PVC Jacketed Cables	
	33 ft (10 m) or longer upon request	
Materials	Pump Casing	Gray Iron
	Impeller	Gray Iron
	Motor Frame	Gray Iron
	Motor Shaft	Stainless Steel
Max. Liquid Temperature	40°C (104°F)	
Max. Submersion Depth	20 m (66 ft)	
pH Range	pH 5 - pH 8	
Guide Rail	GRF-03 (332/337)/GRF-04 (437)	



unit : mm

C.W.L : Continuous running water level
L.W.L : Lowest running water level

	A
GOFLOW 322	257
GOFLOW 337	257
GOFLOW 437	268